



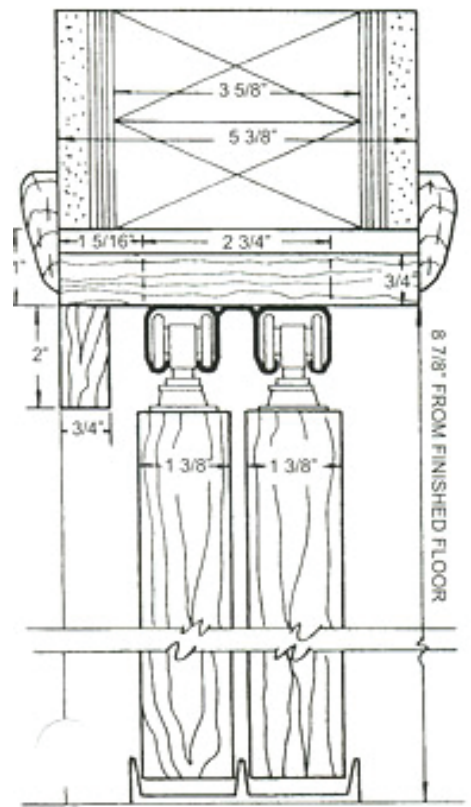
PR PRESSRITE TRACK AND HARDWARE

HEAVY DUTY ByPass Doors

USE WITH 1 3/8" DOORS WEIGHING
UP TO 200LBS EACH.

This is our best quality hardware and it can be used with two-door or multiple door units. The hardware set features our adjustable 2-wheel ball-bearing hanger for doors up to 100lbs. or our 4-wheel ball-bearing hanger for doors up to 150lbs. **An additional 802 4-wheel ball-bearing roller can be added to the center of your door panel if there is a need to increase the capacity to 200lbs.** Our ball bearing hangers operate smoother and more effortless than any in their class. This hardware is used in conjunction with our aluminum 2300 track.

All parts can come in sets with track and your option of door hangers, floor guides, and finger pulls.



2300 Track/Under Header

BHI Doors

5615 E. Powhatan Ave, Tampa, FL 33610

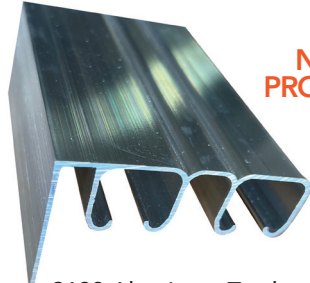
(813) 966-7756

buildershardwareflorida.com

HEAVY DUTY BYPASS TRACK & HARDWARE



2300 Aluminum Track



2138 Aluminum Track

NEW PRODUCT

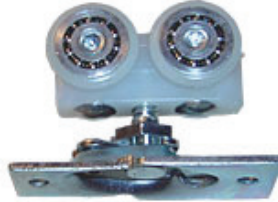


2134 Aluminum Track

NEW PRODUCT



122 2-Wheel Hanger with Door Plate



802 4-Wheel Hanger with Door Plate



209 Adjustable Floor Guide



210 Floor Guide for 1 3/8" Doors



213 Brass Plated Finger Pull 3/4"



213N Nickel Plated Finger Pull 3/4"



216 Beige Plastic Pull 1 3/4"



218 Satin Nickel Pull - 2 1/8"

HEAVY DUTY BYPASS TRACK AND HARDWARE SETS

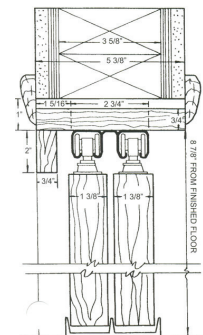
All parts can come in sets with your choice of track, floor guides, door hangers, and finger pulls.

OPTIONS				
DOOR THICKNESS	TRACK	FLOOR GUIDE	DOOR HANGER	FINGER PULL
1 3/8"	2300 Aluminum Track	209 or 210 Floor Guide	122 2-Wheel Hanger with Door Plate	213 Brass Plated Finger Pull 3/4"
	2138 Aluminum Track			213N Nickel Plated Finger Pull 3/4"
1 3/4"	2134 Aluminum Track	209 Adjustable Floor Guide	802 4-Wheel Hanger with Door Plate	216 Beige Plastic Pull 1 3/4"
				218 Satin Nickel Pull - 2 1/8"

All ByPass track and hardware can be sold in bulk quantities or in prepackaged shrink wrapped sets.

Finished Door Size*	2'0"	2'6"	3'0"
Overall Width	48 1/2"	60 1/2"	72 1/2"
Length of Track	47"	59"	71"
Width of Rough Opening	49"	61"	73"
Height of rough opening from finished floor	82 7/8"	82 7/8"	82 7/8"

* These measurements are for a 6'8" door, 1/2" floor clearance and 1" lap of doors



2300 Track/Under Header