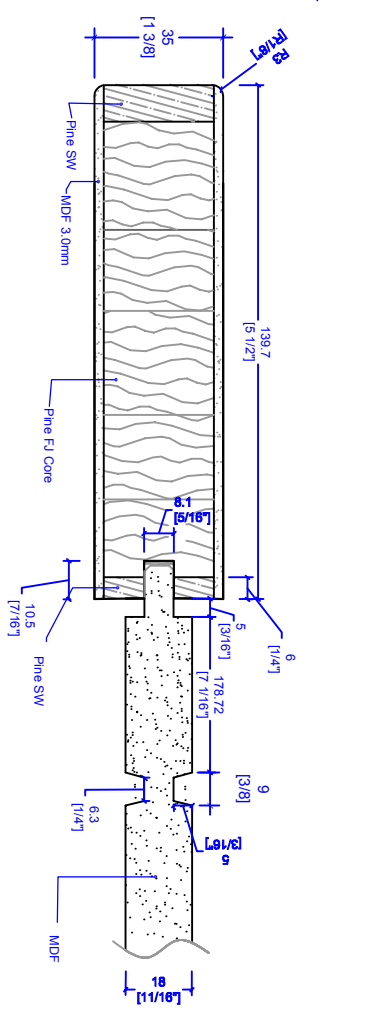


SECTION A-A



REV.	DESCRIPTION	DATE	BY
A		2016.12.16	

UNLESS OTHERWISE SPECIFIED:
 TOLERANCES ARE IN MILLIMETERS
 FINISHES ARE AS SHOWN
 DIMENSIONS ARE TO FACE UNLESS OTHERWISE SPECIFIED
 DO NOT SCALE DRAWING

PROPERTY AND CONFIDENTIAL
 INFORMATION CONTAINED IN THIS
 DRAWING IS THE PROPERTY OF TRIMLITE
 COMPANY. ANY REPRODUCTION
 OR TRANSMISSION OF THIS
 DRAWING IN ANY FORM OR BY ANY
 MEANS WITHOUT THE WRITTEN
 PERMISSION OF TRIMLITE
 COMPANY IS PROHIBITED

TRIMLITE

8401B
1-3/8" X 7-0" Primed

DWG. NO. 8401B
 SCALE: 1:1
 SHEET: 1 OF 1